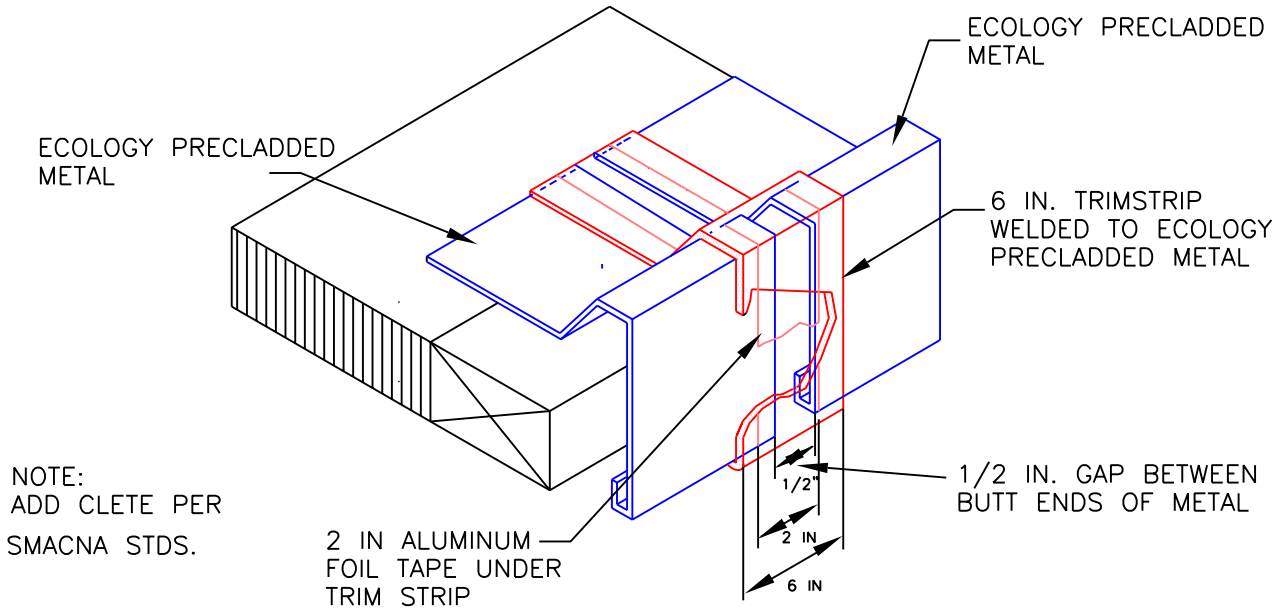
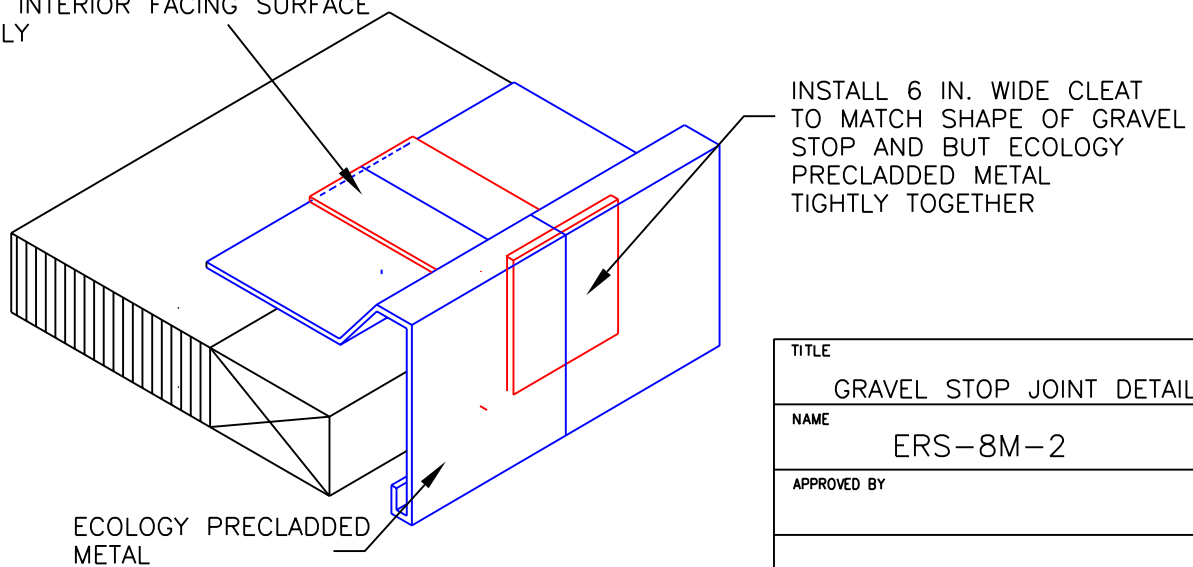


GRAVEL STOP JOINT DETAIL W/FASCIA STRIP



GRAVEL STOP JOINT DETAIL W/OUT FASCIA STRIP

WELD 6 IN. ECOLOGY TRIMSTRIP
ON INTERIOR FACING SURFACE
ONLY



TITLE	
GRAVEL STOP JOINT DETAILS	
NAME	
ERS-8M-2	
APPROVED BY	DATE
APPLICABLE TO ECOLOGY	
MECHANICALLY FASTENED SYSTEMS	
ECOLOGY ROOF SYSTEMS	1400 HARBOR BLVD. SUITE #601 FULLERTON, CA. 92835