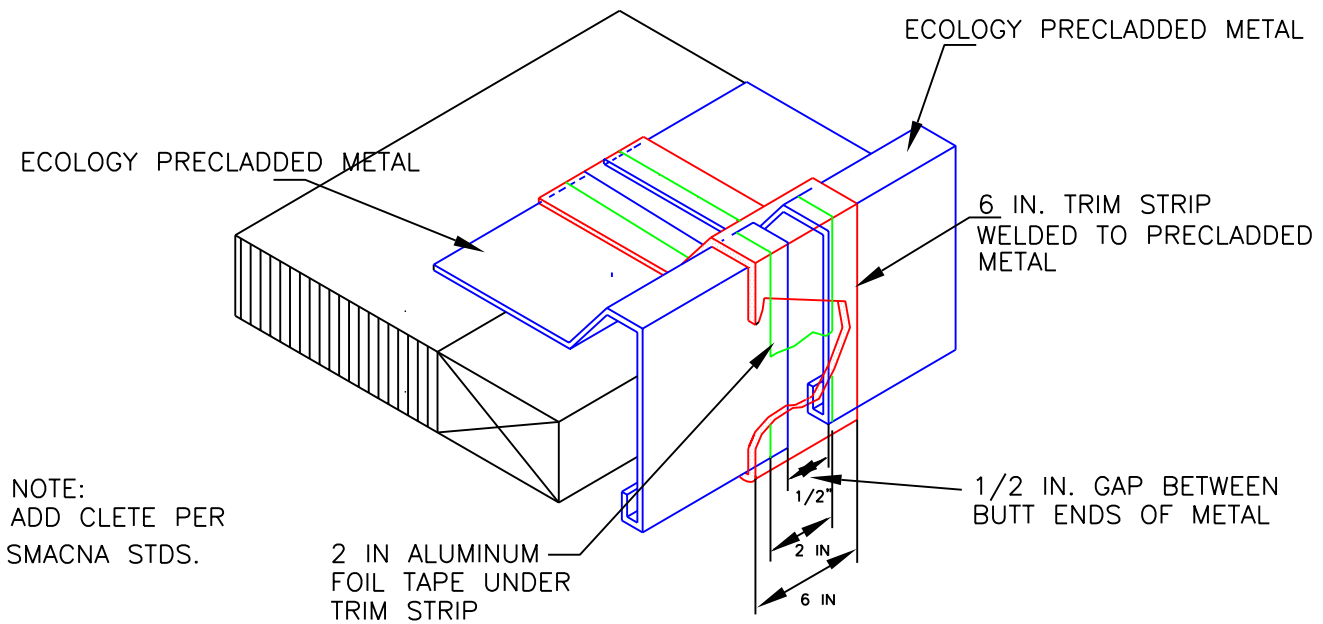
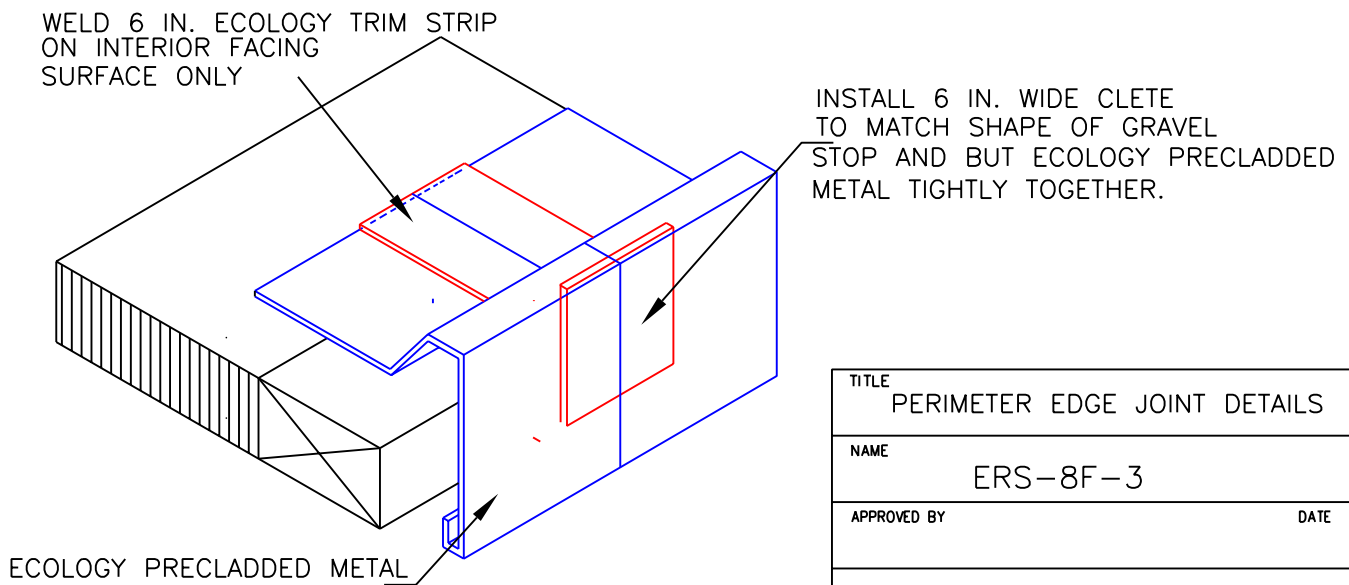


## GRAVEL STOP JOINT DETAIL W/FASCIA STRIP



## GRAVEL STOP JOINT DETAIL W/OUT FASCIA STRIP



TITLE	
PERIMETER EDGE JOINT DETAILS	
NAME	
ERS-8F-3	
APPROVED BY	DATE
APPLICABLE TO ADHERED	
SYSTEMS	
<b>ECOLOGY</b> <b>ROOF</b> <b>SYSTEMS</b>	1400 HARBOR BLVD. SUITE # 601 FULLERTON, CA .92835